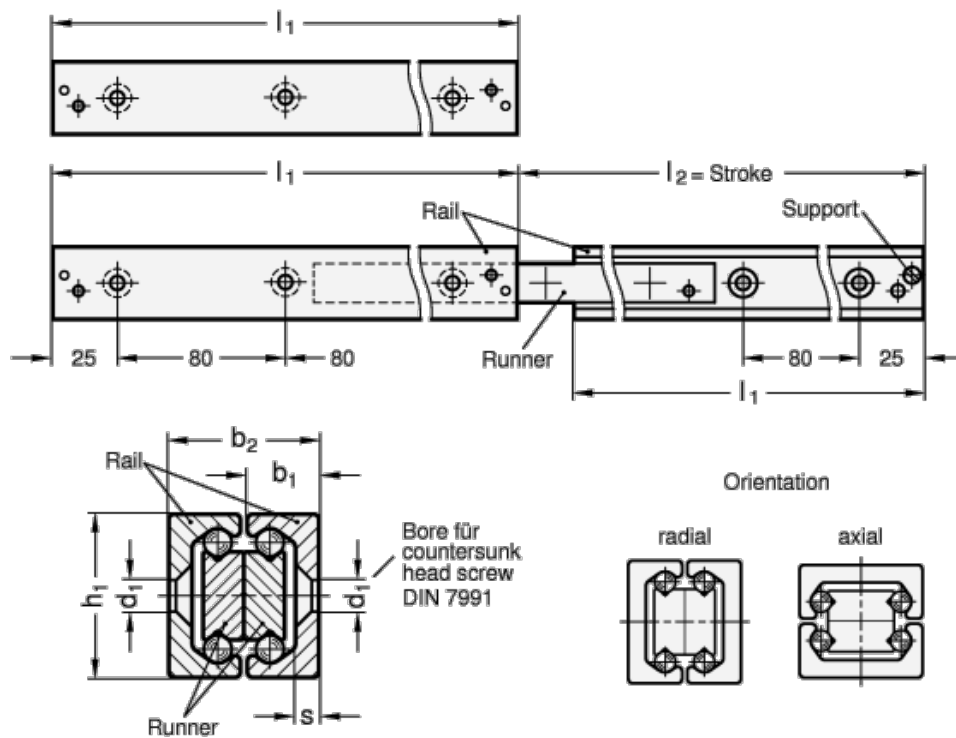


Article number: 20241028450

Description: E+G Telescope-Lear motion bearings GN 2410-28-450

Measures



b1	= 12.3
b2	= 25.8
d1	= M5
d2	= 5.5
h1	= 28
L1	= 450 - 464
s	= 4
Weight in (g)	= 1980